

# Repair Parts

116.221.AB.4T

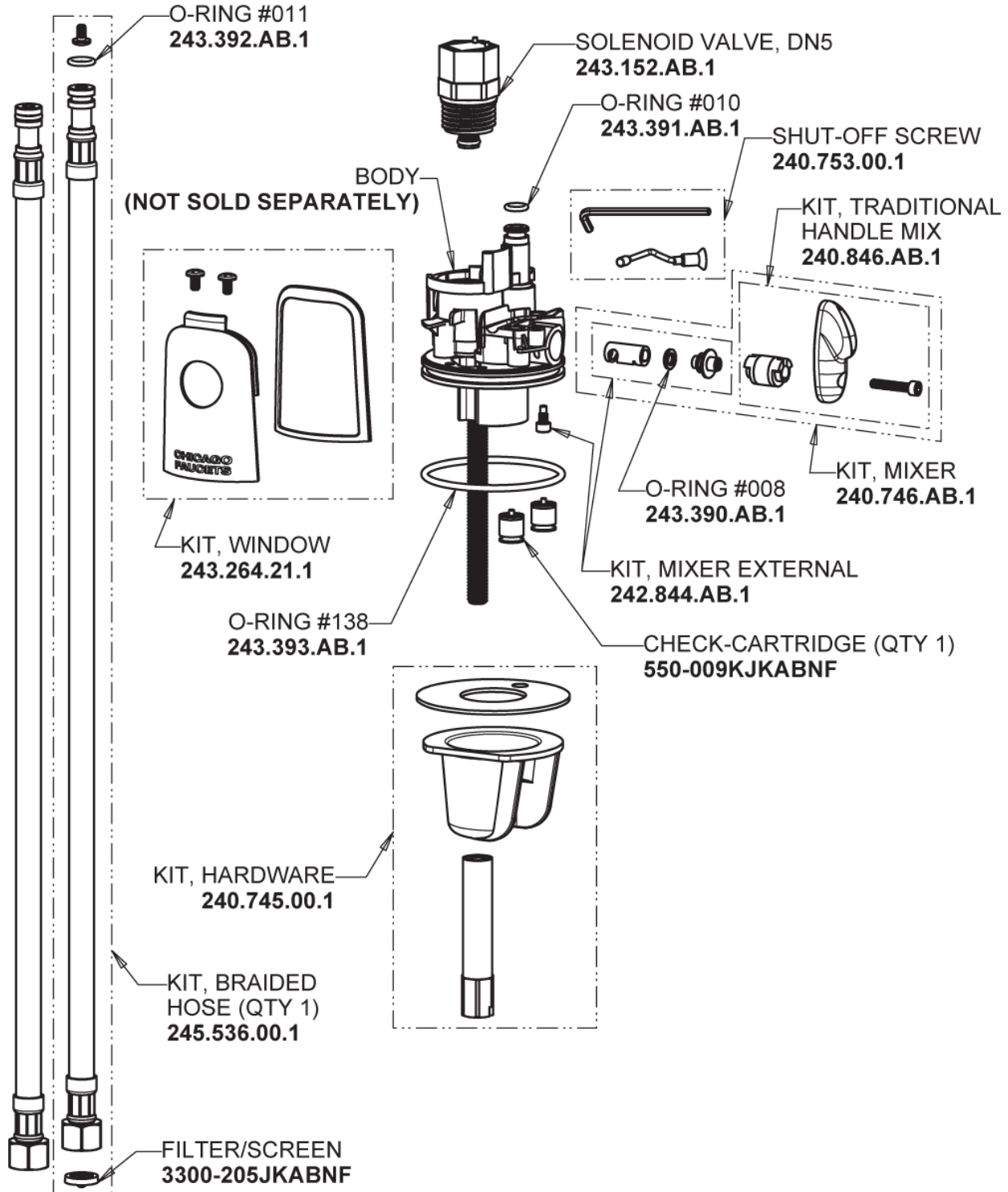
Touch-free, programmable faucet with above-deck electronics

# CHICAGO FAUCETS®

Geberit Group

HyTronic Base with User Temp Control

## Base Parts:



## For Technical Assistance:

Phone: 800-TEC-TRUE (832-8783)

Email: [techsupport.us@chicagofaucets.com](mailto:techsupport.us@chicagofaucets.com)

2100 South Clearwater Drive

Des Plaines, IL 60018

Phone: 847-803-5000

[chicagofaucets.com](http://chicagofaucets.com)

# Repair Parts

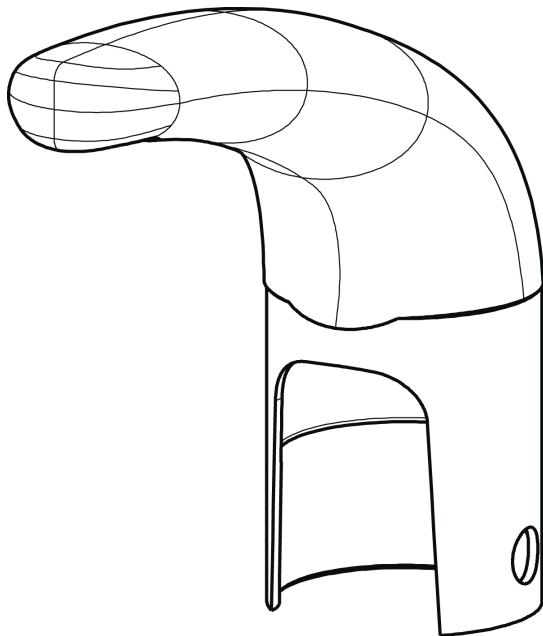
116.221.AB.4T

Touch-free, programmable faucet with above-deck electronics

# CHICAGO FAUCETS®

Geberit Group

HyTronic Traditional Spout  
**240.723.AB.1**



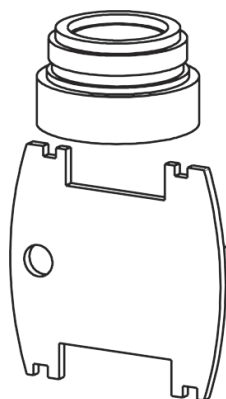
CHECK-CARTRIDGE  
**550-009KJKABNF**



O-RING, #010  
**243.391.AB.1**

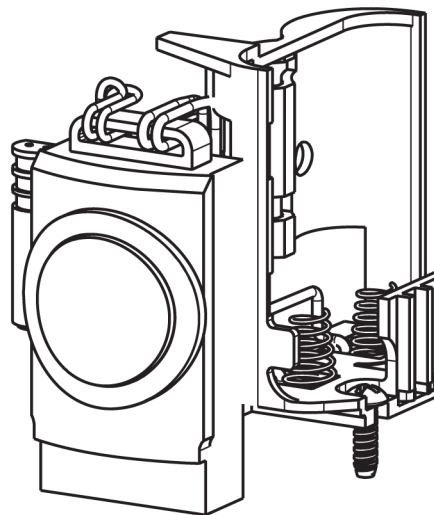


0.35 GPM (1.3 L/min) Vandal Proof Econo-Flo Non-Aerating  
Outlet  
**E39VPJKABCP**

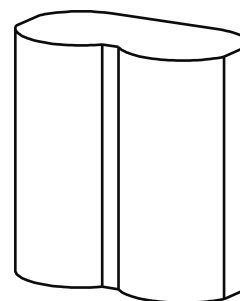


VANDAL PROOF KEY  
**3-024JKRCF**

Electronic Module  
**242.433.00.1T**



CR-P2 6V Lithium Battery  
**242.560.00.1**



## For Technical Assistance:

Phone: 800-TEC-TRUE (832-8783)

Email: [techsupport.us@chicagofaucets.com](mailto:techsupport.us@chicagofaucets.com)

2100 South Clearwater Drive

Des Plaines, IL 60018

Phone: 847-803-5000

[chicagofaucets.com](http://chicagofaucets.com)